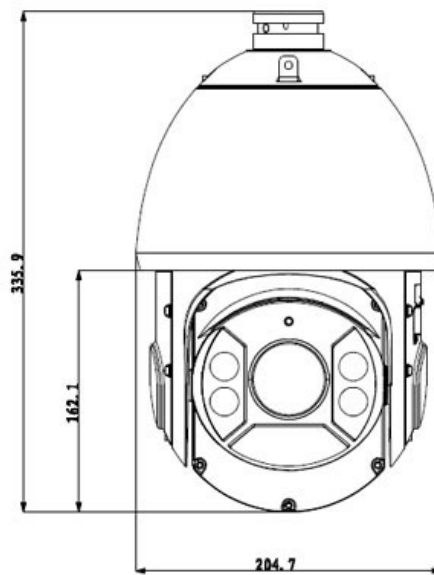


CP- UNP-2013TL10

1.3 MP Full HD 20x IP IR PTZ Camera



Main Features

- 1/3" CMOS Image sensor
- Powerful 20x Optical and 16x Digital zoom
- Max. 25/30fps@1.3 MP and 720P Resolution
- DWDR, Day/Night(ICR), Ultra DNR, Auto iris, Auto focus
- Up to 300 Presets, 8 Tour, 5 Pattern, 5 Auto scan
- Max 240°/s pan speed, 360° endless pan rotation
- IR Range of 100 Mtr.
- Built-in 2/1 alarm in/out, IP66
- Mobile Software: iCMOB, gCMOB, wCMOB
- CMS Software: KVMS Pro, vOptimus Pro



CP- UNP-2013TL10

1.3 MP Full HD 20x IP IR PTZ Camera

Feature

Image Sensor
 Effective Pixels
 S/N Ratio
 Minimum Illumination
 Focal Length
 Focus Control
 White Balance
 Angle of View
 Close Focus Distance
 Electronic Shutter
 AGC control
 Back Light Compensation
 Optical Zoom
 Digital Zoom
 Pan Travel
 Tilt Travel
 Presets
 Preset Speed
 Privacy Masking
 Special Features
 Power up Action
 Time Task
 Idle Motion
 Day/Night: IR Cut Filter
 Video Compression
 Video Streaming
 Audio Compression
 Audio Streaming
 IVS
 Protocols

Specification

1/3" CMOS
 1280(H) x 960(V)
 More than 50dB
 Color: 0.05Lux@F1.4; B/W: 0.005Lux@F1.4
 4.7mm ~ 94mm
 Auto / Manual
 Auto, ATW, Indoor, Outdoor, Manual
 H: 54.1° ~ 3.2°
 100mm~ 1000mm
 1/1 ~ 1/30,000s
 Auto / Manual
 BLC / HLC / DWDR
 20x
 16x
 0° ~ 360° endless, Pan Speed: 0.1° ~ 160°/sec
 -15° ~ 90°, auto flip 180°, Tilt Speed: 0.1° ~ 200°/sec
 300
 Pan: 240° /s; Tilt: 200° /s
 Up to 24 areas
 IR Range of 100 Mtr., Up to 300 Presets, 8 Tour, 5 Pattern, 5 Auto scan
 Auto restore to previous PTZ and lens status after power failure
 Auto activation of Preset/Pan/Scan/Tour/Pattern by preset-time
 Activate Preset/ Pan/ Scan/ Tour/ Pattern if there is no command in the specified period
 Auto(ICR) / Color / B/W
 H.264/ MJPEG
 Main Stream: 1.3M/ 720P (1 ~ 25/30fps), Sub Stream: D1/CIF(1 ~ 25/30fps)
 G.711a / G.711u(32kbps)/ PCM(128kbps)
 1/1 channel In/Out
 Tripwire, Intrusion, Abandoned Object Detection, Missing Object Detection
 IPv4/IPv6, HTTP, HTTPS, SSL, TCP/IP, UDP, UPnP, ICMP, IGMP, SNMP, RTSP, RTP, SMTP, NTP, DHCP, DNS, PPPoE, DDNS, FTP, IP Filter, QoS, Bonjour, 802.1x, ONVIF PSIA CGI

CP- UNP-2013TL10

1.3 MP Full HD 20x IP IR PTZ Camera

Feature

Alarm
Max Remote Users
Memory Slot
Operating Temperature
Smart Phone
Weather Proof Standard
Dimension
Weight
Power Source
Power Consumption

Specification

2/1 channel In/Out
20 users
Micro SD, Max 128GB
-40°C ~ 60°C / Less than 90% RH
iPhone, iPad, Android, Windows Phone
IP66
Φ204.7(mm) x 359.9(mm)
5 kg
AC 24V/3A (±10%)
10.5W, 26W (IR on, Heater on)